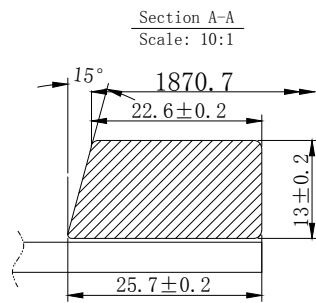
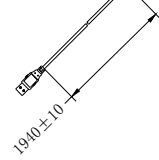
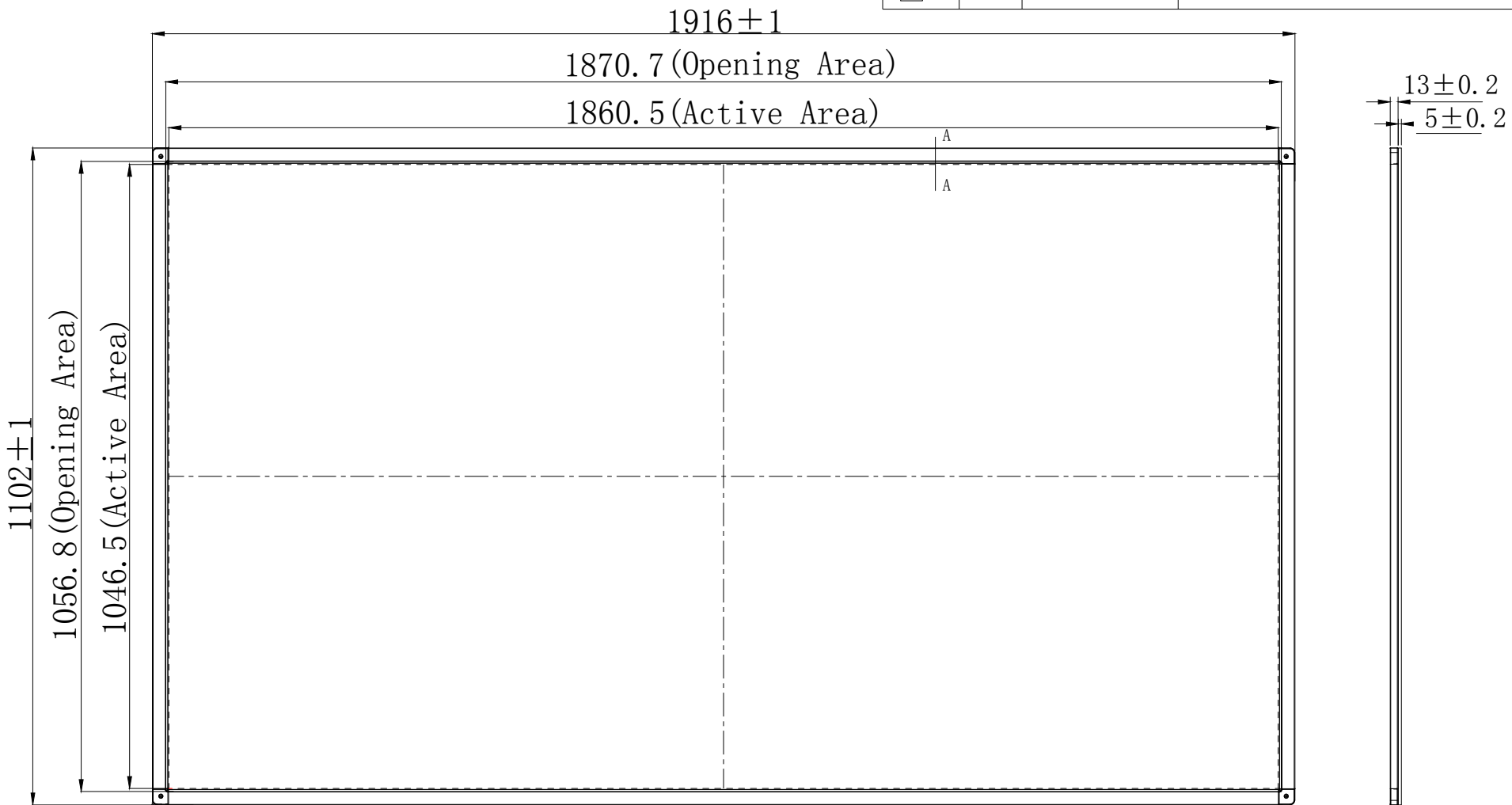


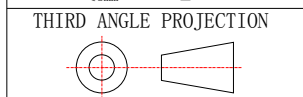
LOGO	REV.	Date	Changes
①			
②			
③			



注：
1、参考LG84屏设计

TOLERANCES
(UNLESS OTHERWISE STATED)

DECIMALS	ANGLES	±1°
>300mm		±0.30mm
200<x≤300mm		±0.25mm
150<x≤200mm		±0.20mm
100<x≤150mm		±0.15mm
50<x≤100mm		±0.10mm
25<x≤50mm		±0.08mm
8<x≤25mm		±0.05mm
≤8mm		±0.03mm



GreenTouch Shenzhen GreenTouch Technology Co.,Ltd

MODEL NO.	GT-IR-F84-1			NOTES:
PART No.		SCALE	1:1	
PART NAME	产品尺寸图	REV.	1.0	
UNIT	mm	SIZE	FREE	
MATERIAL		SHEET	1/1	
SURFACE		CHK' D		
DRAWN		APP' D		