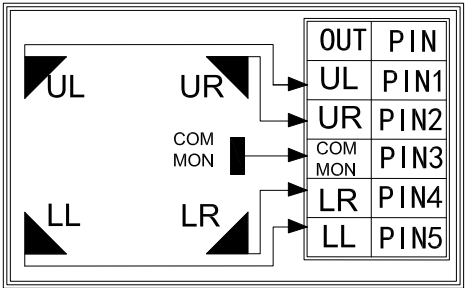
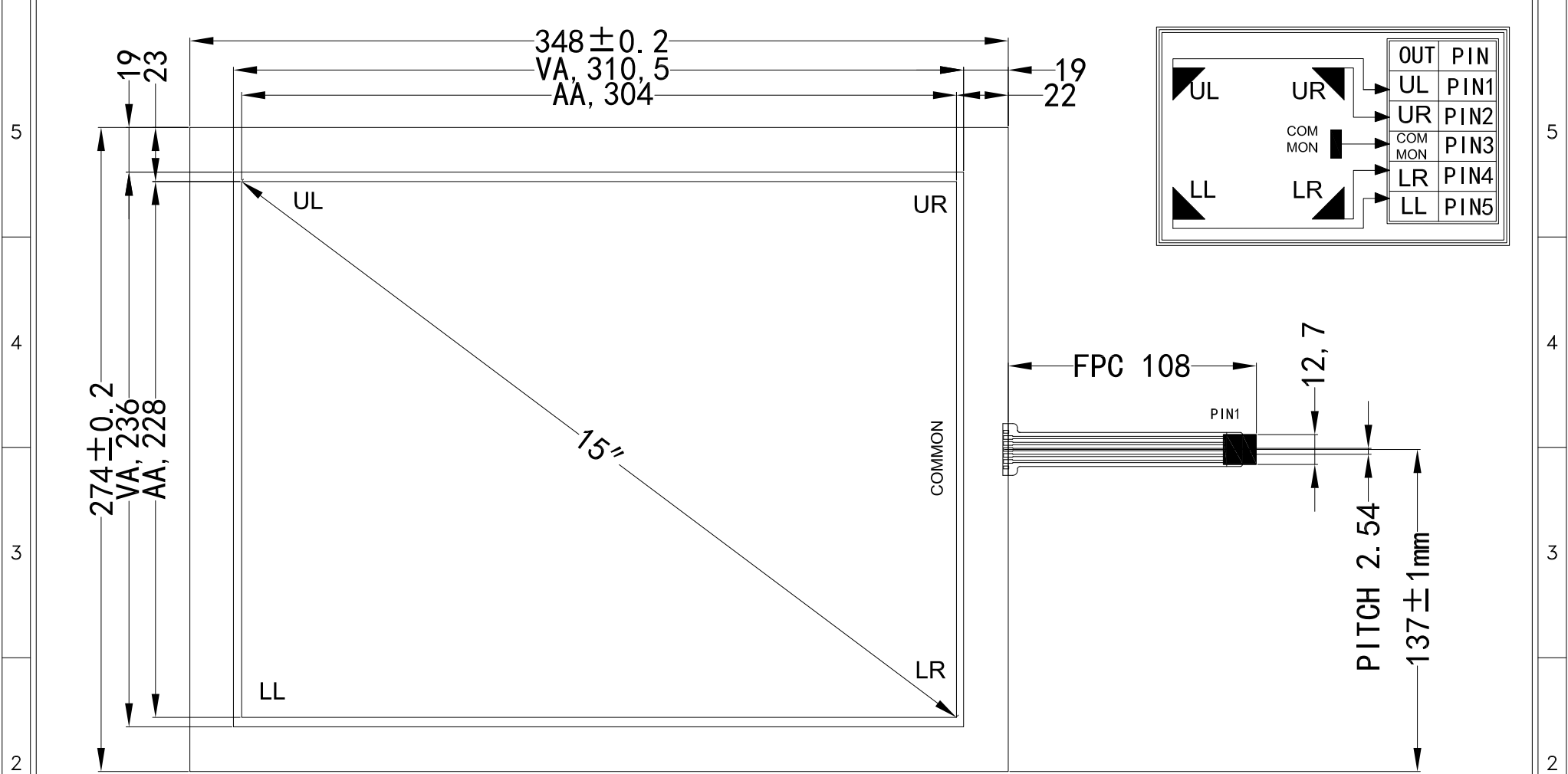


G F E D C B A



Front ITO Film-0.188mm
Back ITO Glass-1.8mm

Thick: 2.3 ± 0.15

- Notes:
- 1.Type:Film to Glass
 - 2.Operating Voltage:≤10v
 - 3.Operation Temperature:-20°C~65°C
Storage Temperature:-30°C~70°C
 - 4.Life Time:1,000,000 times
 - 5.Connect Material:FPC
 - 6.Response Time:≤10ms
 - 7.Linearity:≤1.5%
 - 8.Transmittance:≥75%
 - 9.Surface Hardness≥3H(pencil)
 - 10.Operation force:60g~150g

- 11.Resistance:50Ω < PIN1, PIN2 < 250Ω
50Ω < PIN2, PIN4 < 250Ω
50Ω < PIN4, PIN5 < 250Ω
50Ω < PIN5, PIN1 < 250Ω

TOLERANCES
(UNLESS OTHERWISE STATED)
DECIMALS ANGLES ±0.5%

>2000MM	±2.00MM
1600< X ≤2000MM	±1.20MM
1200< X ≤1600MM	±0.80MM
800< X ≤1200MM	±0.50MM
400< X ≤800MM	±0.40MM
120< X ≤400MM	±0.30MM
30< X ≤120MM	±0.20MM
<30MM	±0.10MM

GreenTouch GreenTouch Technology Co.,Ltd

Model No.:	GT-5W-15D-1	Size	15"	Ratio	4:3
Structure	G+F	Unit	mm	Scale	1:1
Design	李俊	Date	2016.3.2	Page	1/1
Check	付作书	Date	2016.3.2	Version	A0
Release	汪燕	Date	2016.3.2		

G F E D C B A