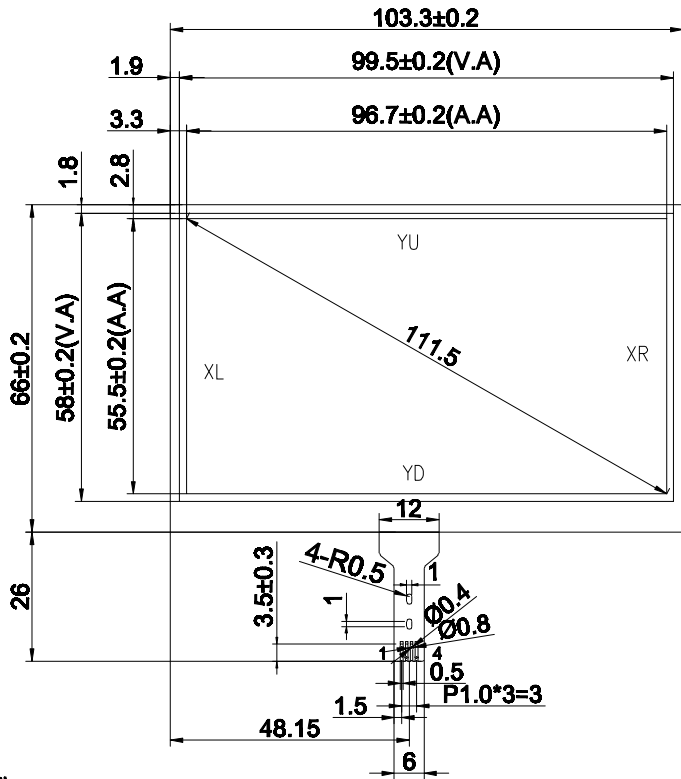
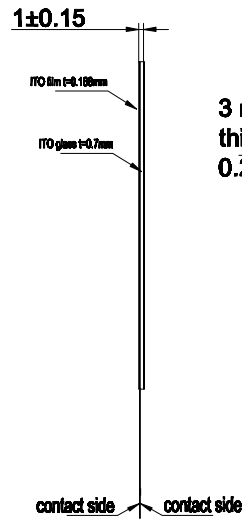


1	2	3	4	5	6	7
版本		变更原因		日期	姓名	

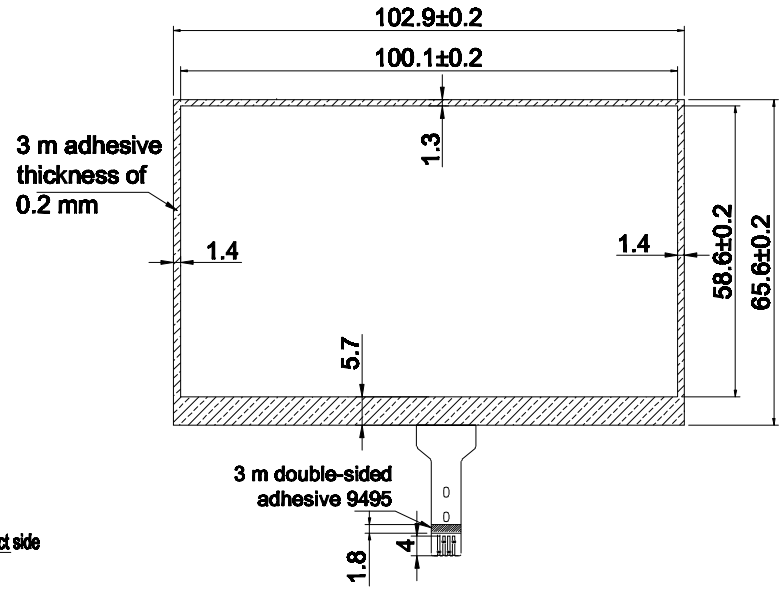
FRONT VIEW



The strakes



Back view



Notes:

- 1.Type:Film to Glass (Fog face cattle)
- 2.Operating Voltage:≤10v
- 3.Operation Temperature:-20℃~70℃  
Storage Temperature:-30℃~80℃
- 4.Life Time:1,000,000 times
- 5.Connect Material:FPC
- 6.Response Time:≤10ms
- 7.Linearity:≤1.5%
- 8.Transmittance:≥78%
- 9.Surface Hardness≥3H(pencil)
- 10.Operation force:80g~150g
- 11.Resistance:X:100Ω-400Ω Y:450Ω-950Ω
- 12.Neutral product

逻辑表:

NO.	SYMBOL
1	YU
2	XL
3	YD
4	XR

TOLERANCES  
(UNLESS OTHERWISE STATED)

DECIMALS	ANGLES	±0.5%
>200MM	±2.00MM	
1600< X ≤2000MM	±1.20MM	
1200< X ≤1600MM	±0.80MM	
800< X ≤1200MM	±0.50MM	
400< X ≤800MM	±0.40MM	
120< X ≤400MM	±0.30MM	
30< X ≤120MM	±0.20MM	
<30MM	±0.10MM	

**格林触控 GreenTouch** Shenzhen GreenTouch Technology Co.,Ltd

Model No.:	GT-4W-43A-1	Size	4.3"	Ratio	16: 9
Structure	G+F	Unit	mm	Scale	1:1
Design	Mr. Li	Date	2016.8.19	Page	1/1
Check	Pay for wei	Date	2016.8.19	Version	A0
Release	Wang Chen	Date	2016.8.19		

由 Autodesk 教育版产品制作

由 Autodesk 教育版产品制作